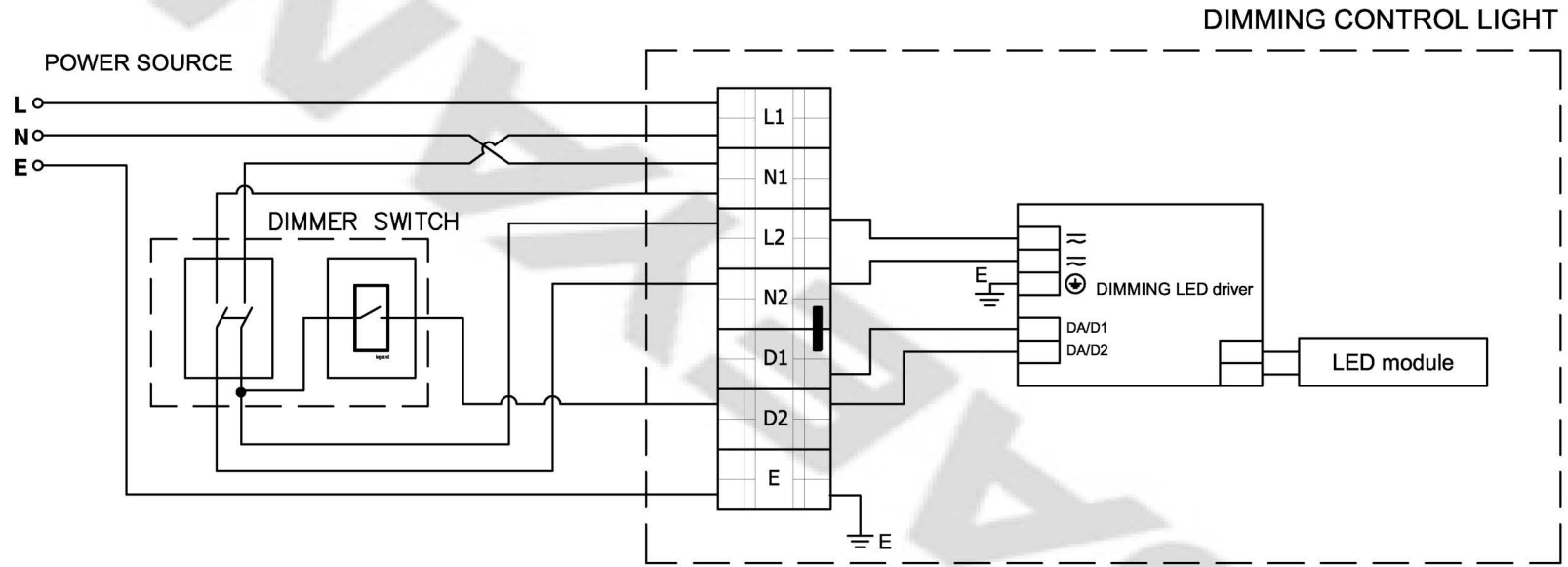


NO	CONTENT	DATE	REVISER	APPROVAL
△				
△				
△				



TITLE: LEB128WF-0550SNQC50D-A Connection Diagram	SCALE	1/1	UNIT	MM	NO.	REVISED
	PROJECT METHOD		WEIGHT	KG	△	
	APPROVED	B. K. KIM			△	
	CHECKED	W. J. JI			MATERIAL	ASS'Y
	DRAWN	B. I. KIM			DWG NO.	
	DATE	2015.12.04			SHEET NO.	35-A